

Ball Valve KH 01/6 Series

DUNGS[®]
Combustion Controls



UL Listed

- For sizes 1/4" to 2"
- UL 125 (125 PSI)
- UL Subject 258 (125 PSI)
- UL file # MH 18741

CSA Certified

- For sizes 1/4" to 2"
- ANSI Z21.15/CSA 9.1
Class 3371-08 and Class 3371-88
0.5 PSI
- ANSI B16.33
Class 3371-14 and 3371-94
125 PSI
- CSA 3.16
Class 3371-10
125 PSI
- CSA 3-88 and CGA CR91-002
125 PSI
- ASME 16.44
Class 3371-92
5 PSI
- CSA file # 209183

FM Approved

- For sizes 1/4" to 2"
- Water service
- FM file # 1B7A5.AH

Commonwealth of Massachusetts Approved Product

- Approval code G1-1107-35
- Ball valve

Codes and Standards

This product is recommended for installations covered by but not limited to NFPA 37, NFPA 85, NFPA 86, UL 795, CSD-1, ANSI Z83.4, ANSI Z83.18, ANSI Z21.13, and CSA B149.3.

**DUNGS is an ISO 9001
manufacturing facility.**



Applications

Manually operated ball valves for gas piping carrying natural gas, propane, butane, air and inert gases.

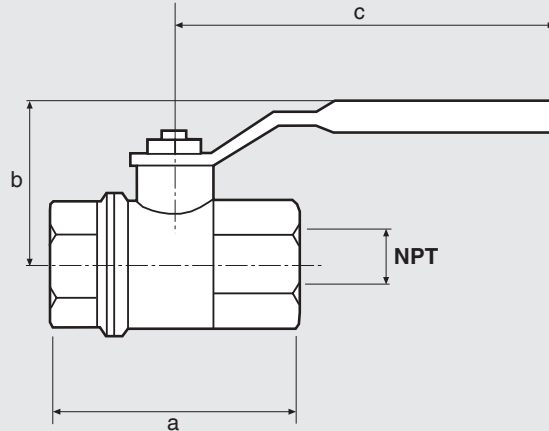
Technical specifications

Full port
Sizes: 1/4" to 3"
Threads: NPT
Operating pressure: 125 PSI max. for natural gas, LP gas, and butane gas.
Temperature range: -40 °F to +300 °F (-40 °C to +150 °C)
Body: Forged Brass
Seal: PTFE O-rings; Viton
Handle: Nickel-steel with plastic cover

**Ball Valve
KH 01/6 Series**



Dimensions inch (mm)



Type	Order No.	Pressure _{max.} [PSI]	Size	Dimensions [inch]			Weight [lbs]
				Dimensions [mm]			
				a	b	c	
KH 01/6-02	D240-887	125	Female / Female NPT 1/4"	1.97	1.51	3.23	0.37
				50	38	82	0,17
KH 01/6-03	D240-889	125	Female / Female NPT 3/8"	1.97	1.51	3.23	0.37
				50	38	82	0,17
KH 01/6-05	D240-890	125	Female / Female NPT 1/2"	2.44	1.73	3.23	0.37
				59	43	82	0,17
KH 01/6-07	D240-891	125	Female / Female NPT 3/4"	2.8	1.87	3.23	0.55
				64	50	82	0,25
KH 01/6-10	D240-892	125	Female / Female NPT 1"	3.27	2.46	4.33	0.99
				81	54	120	0,45
KH 01/6-12	D240-893	125	Female / Female NPT 1 1/4"	3.86	2.7	4.33	1.59
				93	76,5	120	0,72
KH 01/6-15	D240-894	125	Female / Female NPT 1 1/2"	4.33	3.4	5.31	3.31
				102	82,5	158	1,5
KH 01/6-20	D240-895	125	Female / Female NPT 2"	5.24	3.71	5.31	5.67
				121	89,5	158	2,57
KH 01/6-25*	D240-896	125	Female / Female NPT 2 1/2"	5.67	4.76	9.69	8.95
				144	120	246	4,05
KH 01/6-30*	D240-897	125	Female / Female NPT 3"	6.5	5.16	9.69	12.80
				165	131	246	5,8

*UL, CSA and FM approvals do not apply to this ball valve.



Karl Dungs Inc.
3890 Pheasant Ridge Drive NE
Suite 150
Blaine, MN 55449, U.S.A.
Phone 763 582-1700
Fax 763 582-1799
e-mail info@karldungsusa.com
Internet http://www.dungs.com/usa/

Karl Dungs GmbH & Co. KG
P.O. Box 12 29
D-73602 Schorndorf, Germany
Phone +49 (0)7181-804-0
Fax +49 (0)7181-804-166
e-mail info@dungs.com
Internet http://www.dungs.com