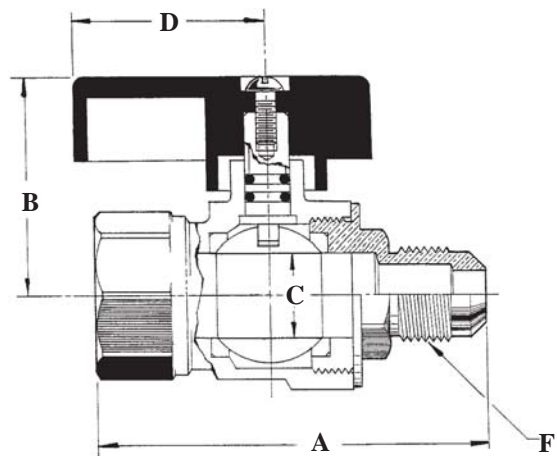
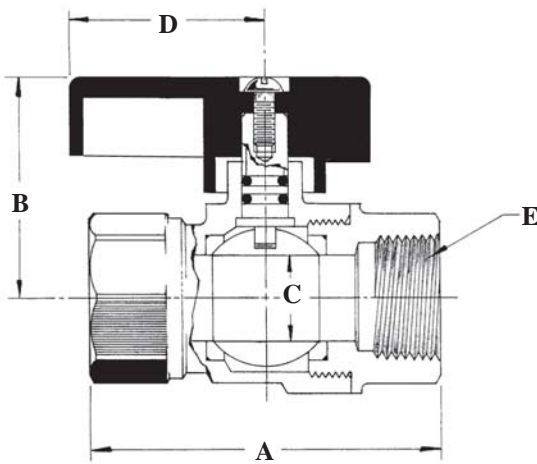
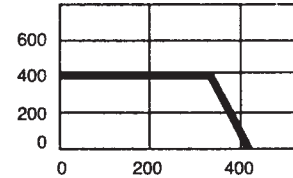


Gas Ball Valve



ITEM NO.	PART	MATERIAL
1	BODY	BRASS
2	BONNET	BRASS
3	BALL	HARD C.P. BRASS
4	SEATS	VIRGIN P.T.F.E.
5	O-RINGS	NBR
6	STEM	EXTRUDED BRASS
7	HANDLE	ALUMINUM
8	SCREW	GALVANIZED STEEL



LISTED: 5 P.S.I.G. Tested to ANSI Z 21.15
 PRESSURE RATING: 125 W.S.P./400 W.O.G.

SPECIFIED OPERATING AMBIENT TEMPERATURE RANGE:

-40° F to 300° F. These capacities are based on gas having a heating value of 1,000 BTU per cu. ft. and a specific gravity of 0.64 at a pressure drop of 1.0 in W.C.

DIMENSIONS IN INCHES

Nominal Size	End Configuration	Part No.	A	B	C	D	NPT E	F	BTU Capacity
3/8	FIP x FIP	2950-04	1.75	1.50	0.38	1.30	3/8-14	-	250,000
1/2	FIP x FIP	2950-05	2.12	1.50	0.38	1.30	1/2-14	-	250,000
3/4	FIP x FIP	2950-07	2.50	1.62	0.55	1.30	3/4-14	-	600,000
1/2 x 3/8	FIP x Flare	3000-0504	2.50	1.50	0.38	1.30	1/2-14	3/8" Flare	250,000
1/2 x 1/2	FIP x Flare	3000-0505	2.67	1.50	0.38	1.30	1/2-14	3/8" Flare	250,000
1/2 x 5/8	FIP x Flare	3000-0506	2.75	1.62	0.55	1.30	1/2-14	3/8" Flare	600,000

Form No. U0164

Operation of combustion equipment can be hazardous resulting in bodily injury or equipment damage.

Each burner should be supervised by a combustion safeguard and only qualified personnel should install, make system adjustments and perform any required service.